

## G9

### 小型防水防尘微动开关 Sealed Mini Micro Switch



#### ■特点/Features

- ◆防水防尘 (IP67)设计
- ◆体积小, 结构紧凑
- ◆长寿命, 高可靠性
- ◆接线端子种类齐全
- ◆配备各种形式操作柄
- ◆广泛应用于各种汽车控制、家用及工业控制等领域

- Dust and Water Proof (IP67) Design
- Small Compact Size
- Long Life, High Reliability
- Vareity of Terminals and Levers
- Widely used in Auto Control, Appliance and Other Industry Control

#### ■应用/Application

- ◆汽车/Car
- ◆电话/Phone
- ◆空调/Air-Conditioner
- ◆计算机/Computer
- ◆增湿器/Humidifier
- ◆报警器/Alarmern
- ◆计时器/Timer
- ◆混合器与切肉机/Mixer&Meat Grinder
- ◆焊接枪/Welding Machine
- ◆氖电话/Neon Phone
- ◆传真机/Fax Machine

- 游戏控制杆/Game Controller
- 水泵/Pump
- 汽油探测器/Gas Detector
- 卷笔刀/Pencil Shapener
- 钱币分类机/Money Sorter
- 食品加工机/Food Processor
- 电切刀/Electric Knife
- 玩具汽车/Toy Car
- 榨汁机/Juice Extractor
- 照明设备/Light Equipment
- 电动煎锅/Electric Frying Pan

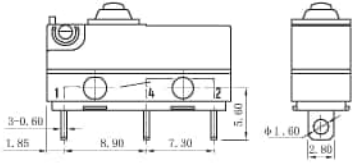
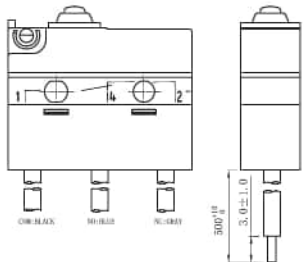
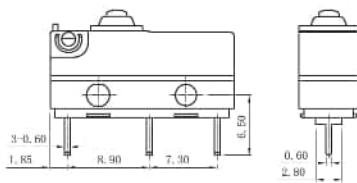
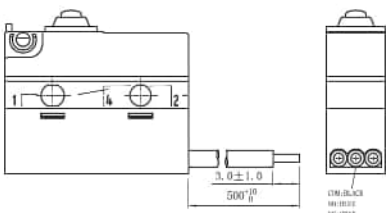
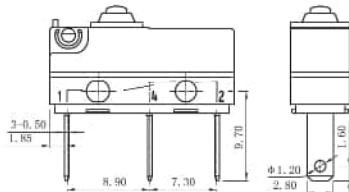
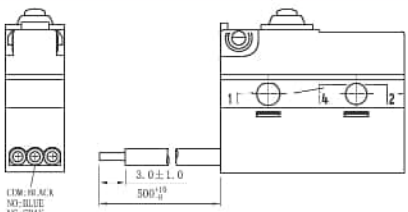
#### ■特性参数/Parameters:

额定值/Rating	P1	01A 125/250VAC 48VDC触点可选镀金/Gold Plated Contact Optional
	05	UL: 5A 125/250VAC ENEC: 6A 125/250VAC 1E4; 3A 125/250VAC 30VDC 5E4 $\mu$ 25T120
操作频率 Operating Frequency	电气/Electrical	10~30次/分 cycles/minute
	机械/Mechanical	120次/分 cycles/minute
初始接触电阻/Contact Resistance (Intiative)	100m $\Omega$ Max (导线型视导线长短变化/It depends on the wire length for the type with wire)	
绝缘电阻/Insulation Resistance (at 500VDC)	100M $\Omega$ Min	
抗电强度/Dielectric Strength	AC 1,000V RMS (50~60Hz)	
保存温度/Storage Temperature	-25° C~+120° C	
保存湿度/Storage Humidity	85%RH Max	
寿命/Service Life	电气/Electrical	10,000~100,000次/cycles (取决于具体型号/Depend on part NO.)
	机械/Mechanical	500,000次/cycles

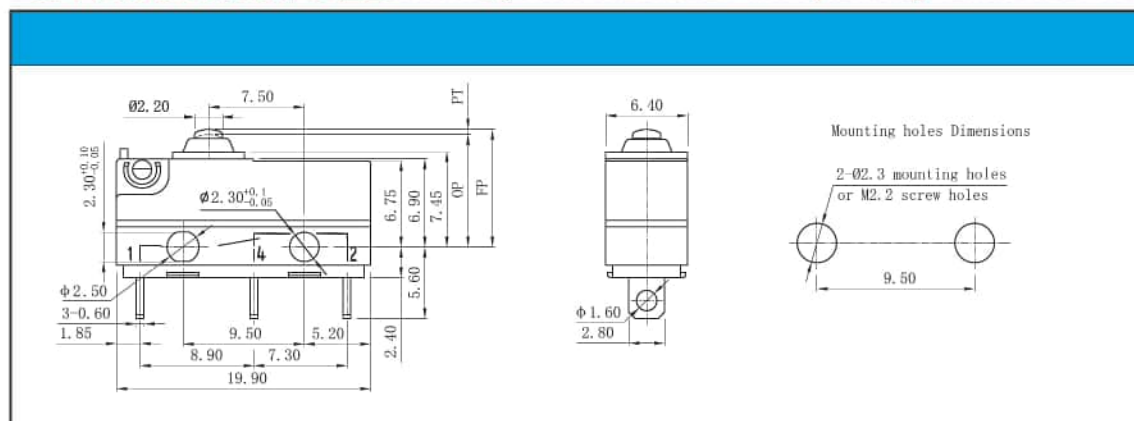
## G9系列微动开关订货指引 G9 Series Micro Switch Ordering Instruction

G9	05	200	S	00	D	I	A	AWG Type (for wire type only) 线号 (仅适用于带线型)	AWG Number (For with wire type only) 线号 (仅适用于带线型)	Wire Length 线长
Switch Type 开关类别	Electrical Rating 额定负载	Max. Operating force at pin Plunger 操作力(最大值) 数据在不带操作柄 测得	Terminal Style 端子类型	Lever Type 操作柄类型	Construction 接插形式	Circuit Code 接插形式	Special Designator 特别设计代码			
G9 Series Micro-Switch	ENPC/QC: 0.1A 125/250VAC 48VDC 5E4 μ 25T120 UL/CUL: 0.1A 125/250VAC 48VDC 触点镀金可选(Gold Plated Contact optional).	150gf Max. 仅 适用于/only for G9PI	S Solder Terminals 焊锡端子	Spherical Pin Plunger 球形柱状接插	Dust proof IP00 No wire. 防尘型-IP00 不带线	1 SPST 单极双投	General 通用型 额定等级 /Temperature grade 25T120	20#	UL1007	标准长度:500mm Standard Length:500mm
G9系列 微动开关	ENPC/QC: 6A 125/250VAC 1E4 μ 3A 125/250VAC 30VDC 5E4 UL/CUL: 5A 125/250VAC	200/200gf Max.	Straight PCB Terminals (0.6mm wide) 直PCB端子 (0.6mm宽)	Short Straight Lever 01 Lever 17.7(0.70'') 短直柄 17.7mm	Water Tight IP67 With lead wires 防水型-IP67 带引出线	2 SPST-NC 单极单投 -带柄	Gold Plated Contacts (Optional) A Only for G9PI 触点镀金 可选(仅适用于G9PI系列)	F 22#	B UL1569	
		300/300gf Max.	110° Quick Connect Terminals (2.8X0.5mm) 110°快速连接端子 (2.8X0.5mm)	Std. Straight Lever 02 Lever 19.7(0.78'') 标准直柄 19.7mm		3 SPST-NO 单极单投 -带开	Special use for high DC rating D 特别用于大电流直流负载	G 24#	C UL1430	
			Wires leads to bottom(500mm) 底面出线 (500mm长)	Long Straight Lever 03 Lever 26.8(1.02'') 长直柄 26.8mm			Lever Can Be On Two Sides (opposite to plunger) B 双侧挂柄手柄 (按尊柄对面)	H 26#	D UL1061	
			Wires leads to side(500mm) 侧面出线-按尊柄对面 (500mm长)	Small Simulated Roller Lever 05 Lever 18.9mm (0.75'') 小型模拟滚轮手柄 18.9mm			Lever Can Be On Two Sides (plunger side) C 双侧挂柄手柄 (按尊柄)	M 28#	E UL1330	
			Wires leads to side(500mm) 侧面出线-按尊柄 (500mm长)	Roller Lever 06 Lever 15.7mm (0.62'') 带滚轮手柄 15.7mm			Lever Can Be On Two Sides (No Lever) E 双侧挂柄手柄 (无手柄款)		F AVSS	
			Special Terminals 特殊端子	Small Simulated Roller Lever 07 Lever 19.0mm 小型模拟滚轮手柄 19.0mm			With ATEX Marking K 带防爆标识		G UL3266	
				Longest Straight Lever 56.2mm (2.21'') 最长直柄 56.2mm			按客人要求订制, 请在技术人员处, 定制代码为T+流水号XXX, 例如:T001		H UL1332	
				Other 其他			Other 其他		K UL1015	

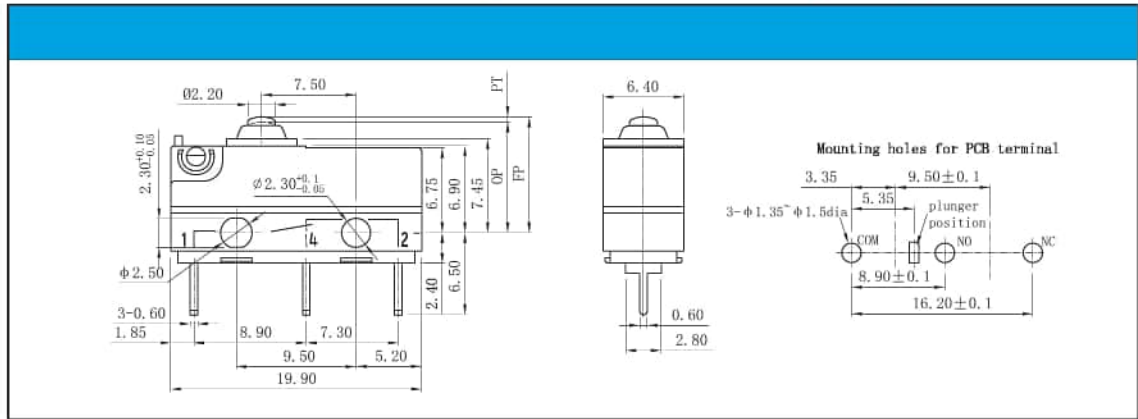
## ■ 端子类型/Terminal Type

<b>S#: Solder Terminals</b> 焊接端子	<b>E#: Wires Leads to Bottom(500mm length)</b> 导线型, 底面出线, 线长500mm
	
<b>P#: Straight PCB Terminals</b> 直PCB端子	<b>F#: Wires Lead to Side(Opposite to Pin pin plunger side), 500mm length.</b> 导线型, 右面(按拿相对侧)出线, 线长500mm.
	
<b>D#: 110#Quick Connet Terminals:2.8x0.5mm</b> 110快速连接端子2.8mmx0.5mm	<b>G#: Wire Leads to Side (Pin plunger side), length:500mm</b> 导线型, 左面(按拿侧)出线, 线长500mm
	

## ■ 基本安装孔尺寸及操作特性图/Mounting Hole Dimensions and Operating Characteristics



## ■基本安装孔尺寸及操作特性图/Mounting Hole Dimensions and Operating Characteristics



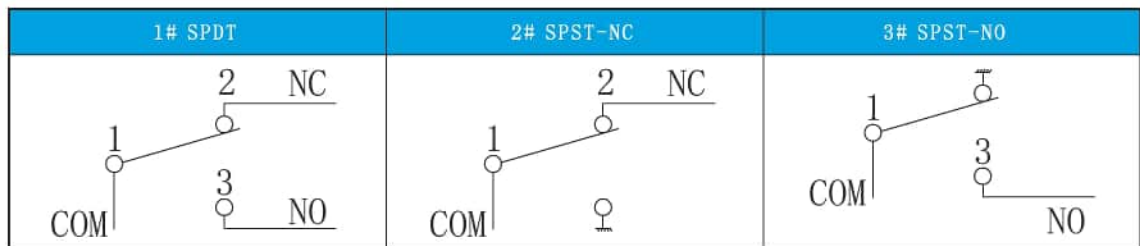
## ■IP等级/IP grade

D#: Without Lead Wires Type, Plunger and Body are Water Proof (IP67); Terminals are not Water Proof (IP00)  
按捺及开关本体防尘防水 (IP67), 端子无防尘防水设计 (IP00)

W#: With Lead Wires Type, water Proof (IP67)  
防水型IP67带引出线



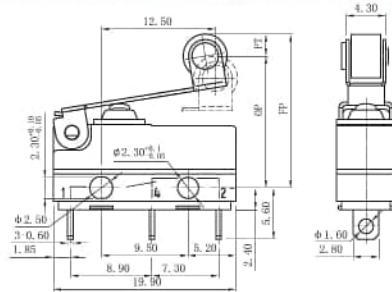
## ■接触形式图/Circuit Configuration





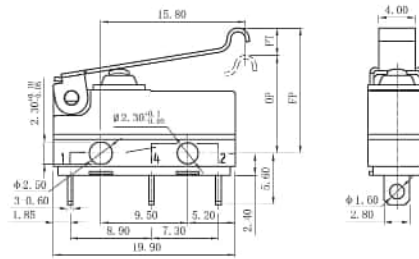
## ■外形尺寸和操作特性/Dimensions and Operating Characteristics

### ◆G9□□-□□□S06D1



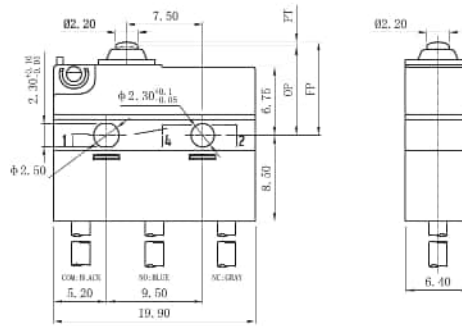
OF	RF	PT	OT	DT	FP	OP
Max	Min	Max	Min	Max	Max	(mm)
(gf)	(gf)	(mm)	(mm)	(mm)	(mm)	
150	65	10	4.3	0.6	0.7	17.5
-200	85	15	4.3	0.6	0.7	17.5

### ◆G9□□-□□□S07D1



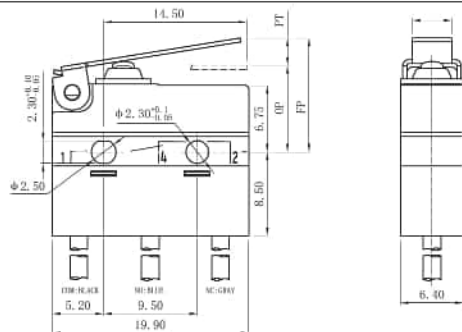
OF	RF	PT	OT	DT	FP	OP
Max	Min	Max	Min	Max	Max	(mm)
(gf)	(gf)	(mm)	(mm)	(mm)	(mm)	
150	50	9	4.6	0.7	0.8	14.0
-200	75	12	4.6	0.7	0.8	14.0

### ◆G9□□-□□□E00W1



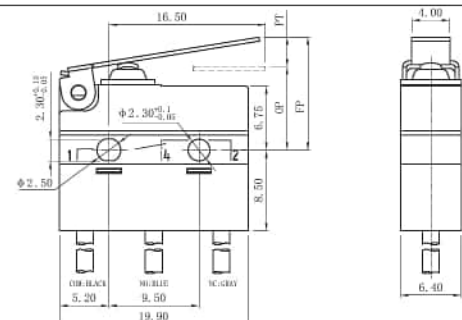
OF	RF	PT	OT	DT	FP	OP
Max	Min	Max	Min	Max	Max	(mm)
(gf)	(gf)	(mm)	(mm)	(mm)	(mm)	
-150	150	30	1.2	0.6	0.2	9.4
300	300	70	1.2	0.6	0.2	9.4

### ◆G9□□-□□□E01W1



OF	RF	PT	OT	DT	FP	OP
Max	Min	Max	Min	Max	Max	(mm)
(gf)	(gf)	(mm)	(mm)	(mm)	(mm)	
-150	50	8	4.3	0.6	0.7	12.0
-300	105	20	4.3	0.6	0.7	12.0

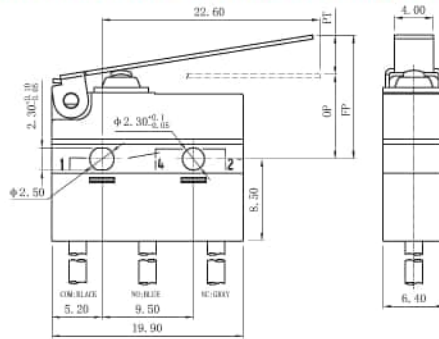
### ◆G9□□-□□□E02W1



OF	RF	PT	OT	DT	FP	OP
Max	Min	Max	Min	Max	Max	(mm)
(gf)	(gf)	(mm)	(mm)	(mm)	(mm)	
-150	50	6	4.8	0.7	0.8	12.5
-300	95	18	4.8	0.7	0.8	12.5

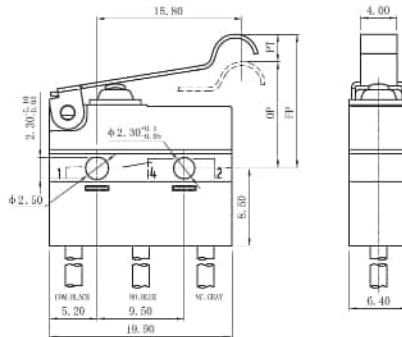
## ■ 外形尺寸和操作特性/Dimensions and Operating Characteristics

### ◆ G9□□-□□□E03W1



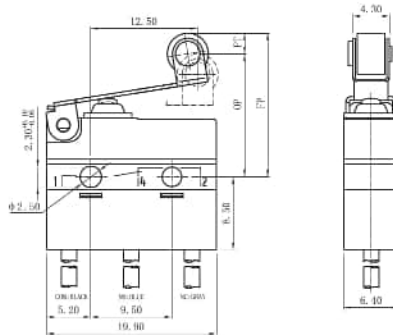
	OF Max (gf)	RF Min (gf)	PT Max (mm)	OT Min (mm)	DT Max (mm)	FP Max (mm)	OP (mm)
-150	40	5	6.3	1.0	1.0	13.5	8.8±1.8
-300	75	13	6.3	1.0	1.0	13.5	8.8±1.8

### ◆ G9□□-□□□E05W1



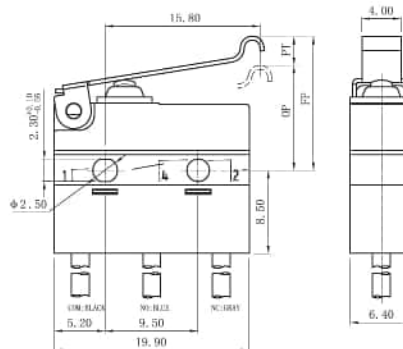
	OF Max (gf)	RF Min (gf)	PT Max (mm)	OT Min (mm)	DT Max (mm)	FP Max (mm)	OP (mm)
-150	40	6	4.6	0.7	0.8	15.5	11.8±1.5
-300	95	18	4.6	0.7	0.8	15.5	11.8±1.5

### ◆ G9□□-□□□E06W1



	OF Max (gf)	RF Min (gf)	PT Max (mm)	OT Min (mm)	DT Max (mm)	FP Max (mm)	OP (mm)
-150	65	10	4.3	0.6	0.7	17.5	14.5±1.1
-300	110	25	4.3	0.6	0.7	17.5	14.5±1.1

### ◆ G9□□-□□□E07W1



	OF Max (gf)	RF Min (gf)	PT Max (mm)	OT Min (mm)	DT Max (mm)	FP Max (mm)	OP (mm)
-150	50	6	4.6	0.7	0.8	14.0	10.7±1.5
-300	95	18	4.6	0.7	0.8	14.0	10.7±1.5